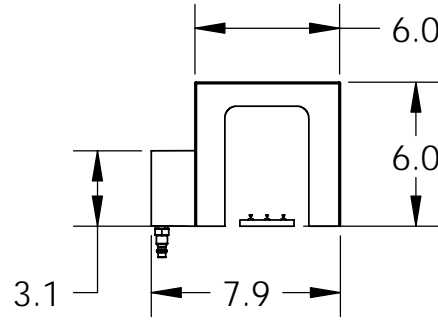
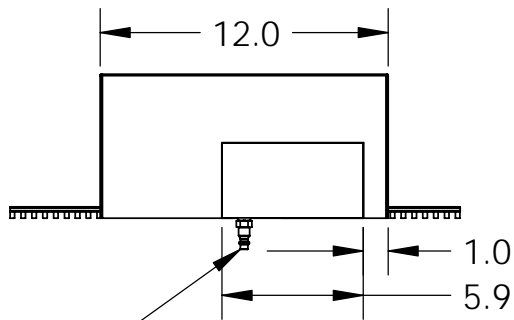
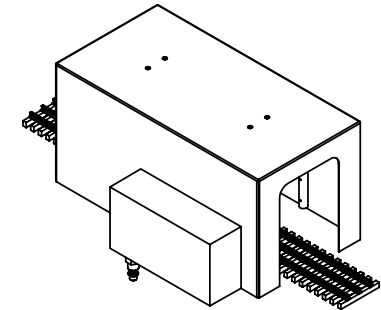
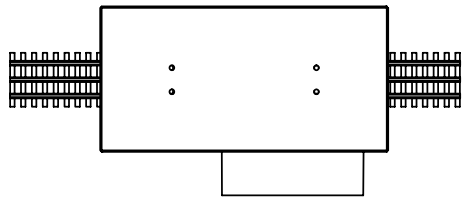
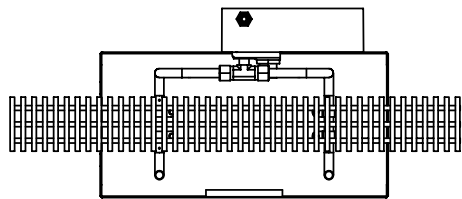


		REVISIONS			
ZONE	REV.	DESCRIPTION	DATE	APPROVED	



SAE 1/4" INDUSTRIAL AIR FITTING



NOTES:  
1) SAE AIR FITTING CAN BE REMOVED TO HARD CONNECT TO 1/8" NPT PORT

**PROPRIETARY AND CONFIDENTIAL**  
THE INFORMATION CONTAINED IN THIS DRAWING IS THE SOLE PROPERTY OF JAK Tool And Model, LLC. ANY REPRODUCTION IN PART OR AS A WHOLE WITHOUT THE WRITTEN PERMISSION OF JAK Tool And Model, LLC. IS PROHIBITED.

		DIMENSIONS ARE IN INCHES TOLERANCES: FRACTIONAL ± N/A ONE PLACE DECIMAL ± .N/A TWO PLACE DECIMAL ± .N/A THREE PLACE DECIMAL ± .N/A	NAME	DATE
			DRAWN	JAK 01/15/07
			CHECKED	
			ENG APPR.	
			MFG APPR.	
		MATERIAL	N/A	
		FINISH	N/A	
NEXT ASSY	USED ON			
APPLICATION	DO NOT SCALE DRAWING			

LOCO-MAT O INSTALLATION DIMENSIONS

**JAK TOOL AND MODEL LLC**  
MATAWAN, NJ 07747

SIZE	DWG. NO.	REV.
<b>A</b>	LOCO-MAT O INSTALLATION DIMENSIONS	<b>0</b>
SCALE:1:8	WEIGHT:	SHEET 1 OF 1